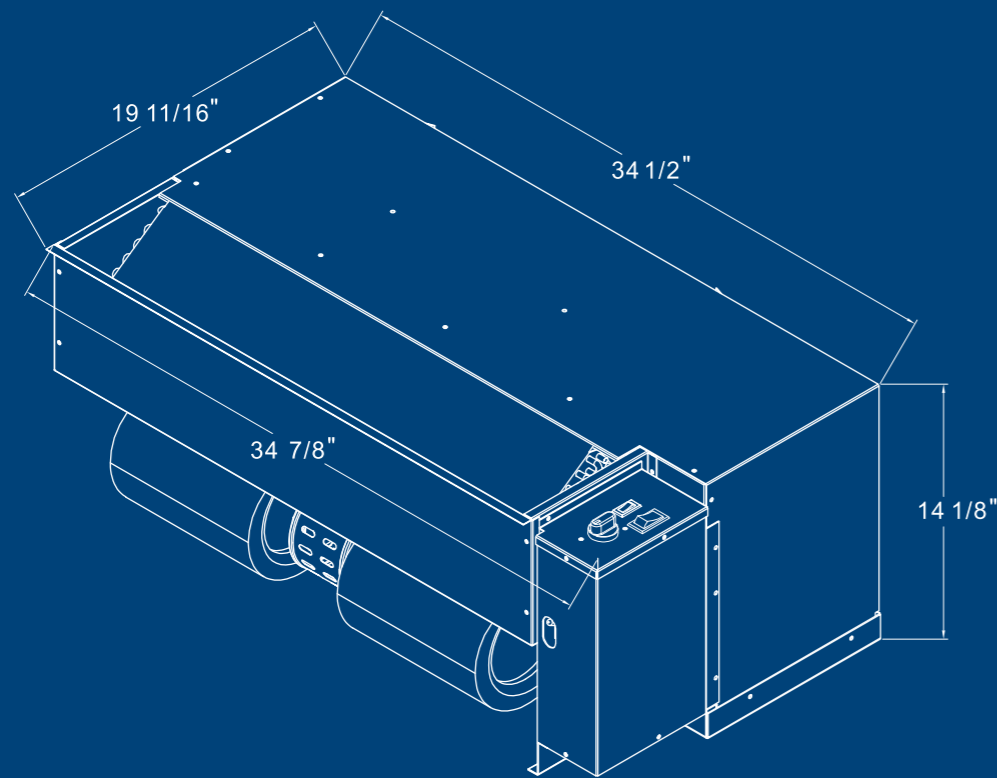


MODEL  
**SS16**



AS AN EXACT REPLACEMENT FOR THE AMERICAN STANDARD SERIES 16 RETROAIRE RC-10, AAF ENERSAVER ISLANDAIRE EZ SERIES 16, ENH, WY AND YY.



**410A**  
REFRIGERANT



Line Voltage	Maximum Amparage	Wall Socket Configuration	Receptacle Number	Electrical Heat Options
115	16	⊕	NEMA5-20R	3.0-3.5
208/230	12	⊖	NEMA6-15R	3.0-3.5
208/230	16	⊕	NEMA6-20R	3.0-3.5
208/230	24	⊖	NEMA6-30R	3.0-3.5
270	16	⊖	NEMA7-20R	3.0-3.5

- 265V/277V OPTIONAL-CONTACT FACTORY
- ELECTRIC HEAT OPTION AVAILABLE-CONTACT FACTORY

MODEL	SS16509H	SS16513H	SS16813H	SS16816H	SS16818H
FAN SPEED	HIGH/LOW	HIGH/LOW	HIGH/LOW	HIGH/LOW	HIGH/LOW
COOLING CAPACITY	9500	12800	12800	14000	16900
HEATING CAPACITY HOT WATER	16500/15100	16500/15100	16500/15100	19400/18100	19400/18100
VOLTAGE	115V	115V	208V	208V	208V
WATTS	968	1166	1166	1452	1903
CFM	400/330	400/330	400/330	435/340	440/355
AMPS	8.42	10.22	5.6	7.93	9.23
EER	10.66	10.75	10.75	10.1	9.72
R410 CHARGE OZ.	26.5	27.5	27.5	31.7	38.8
CHASSIS DIMENSIONS	886X504X359	886X504X359	886X504X359	886X504X359	886X504X359
SHIPPING BOX DIMENSION	995X590X470	995X590X470	995X590X470	995X590X470	995X590X470
WEIGHT	125	136	138	145	152
LOADING	168	168	168	168	168
HEATING CAPACITY STM	18700/16500	18700/16500	18700/16500	20000/19400	20000/19400

• DUE TO OUR ONGOING DEVELOPMENT AND REFINEMENT PROCESSES THE SPECIFICATIONS, CAPACITIES AND COMPONENTS ARE SUBJECT TO CHANGE WITHOUT NOTICE.