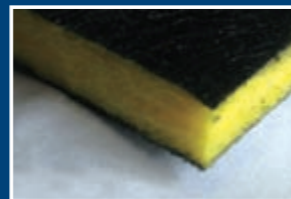
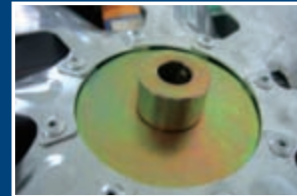
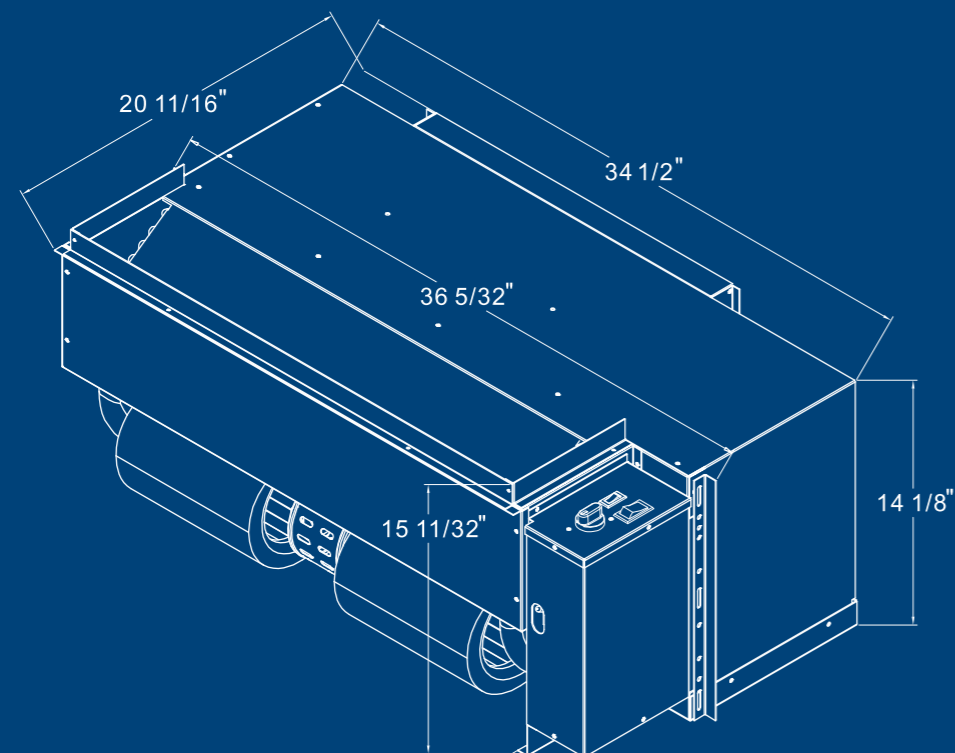


MODEL  
**SS45**



AS AN EXACT REPLACEMENT FOR THE  
AMERICAN STANDARD CARTERET45  
REMINGTON45  
SINGER 45



Line Voltage	Maximum Amparage	Wall Socket Configuration	Receptacle Number	Electrical Heat Options
115	16	⊕	NEMA5-20R	3.0-3.5
208/230	12	⊖	NEMA6-15R	3.0-3.5
208/230	16	⊕	NEMA6-20R	3.0-3.5
208/230	24	⊖	NEMA6-30R	3.0-3.5
270	16	⊖	NEMA7-20R	3.0-3.5

- 265V/277V OPTIONAL-CONTACT FACTORY
- ELECTRIC HEAT OPTION AVAILABLE-CONTACT FACTORY

MODEL	SS45509H	SS45513H	SS45813H	SS45816H	SS45818H
FAN SPEED	HIGH/LOW	HIGH/LOW	HIGH/LOW	HIGH/LOW	HIGH/LOW
COOLING CAPACITY	9500	12800	12800	14000	16900
HEATING CAPACITY HOT WATER	16500/15100	16500/15100	16500/15100	19400/18100	19400/18100
VOLTAGE	115V	115V	208V	208V	208V
WATTS	968	1166	1166	1452	1903
CFM	400/330	400/330	400/330	435/340	440/355
AMPS	8.42	10.22	5.6	7.93	9.23
EER	10.66	10.75	10.75	10.1	9.72
R410 CHARGE OZ.	26.5	27.5	27.5	31.7	38.8
CHASSIS DIMENSIONS	919X526X389	919X526X389	919X526X389	919X526X389	919X526X389
SHIPPING BOX DIMENSION	1005x615x500	1005x615x500	1005x615x500	1005x615x500	1005x615x500
WEIGHT	129	140	142	148	155
LOADING	160	160	160	160	160
HEATING CAPACITY STM	18700/16500	18700/16500	18700/16500	20000/19400	20000/19400

• DUE TO OUR ONGOING DEVELOPMENT AND REFINEMENT PROCESSES THE SPECIFICATIONS, CAPACITIES AND COMPONENTS ARE SUBJECT TO CHANGE WITHOUT NOTICE.