

MODEL

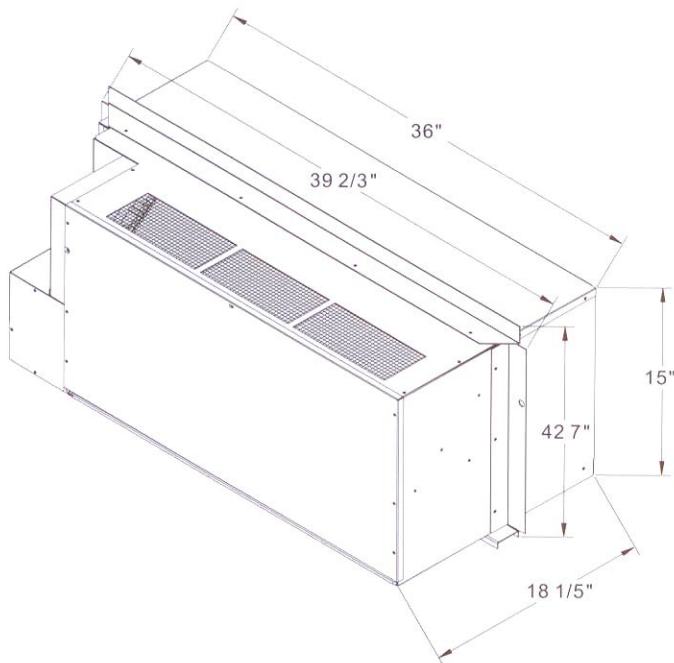
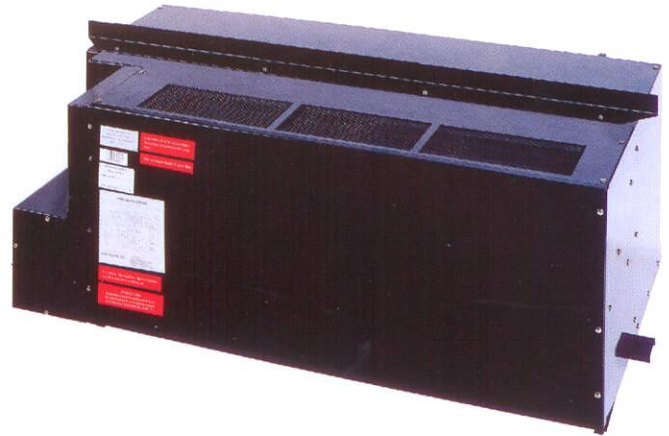
SSCM700



AS AN EXACT CHASSIS REPLACEMENT
FOR THE:
FRIEDRICH CLIMATE MASTER
WEIL-MCLAIN SERIES 700AD, 702, 703 AND 704
ISLANDAIRE EZ SERIES AD AND CM,
ICECAPRSCM

SIMON-AIRE INC.

SSCM700



SPECIFICATIONS AND CHASSIS DIMENSIONS



MODEL	SSCM700 509H	SSCM700 513H	SSCM700 813H	SSCM700 816H	SSCM700 818H
FAN SPEED	HIGH/LOW	HIGH/LOW	HIGH/LOW	HIGH/LOW	HIGH/LOW
COOLING CAPACITY	9500	12800	12800	14000	16900
HEATING CAPACITY HOT WATER	16500/15100	16500/15100	16500/15100	19400/18100	19400/18100
VOLTAGE	115V	115V	208V	208V	208V
WATTS	830	1190	1190	1420	1750
CFM	400/330	400/330	400/330	435/340	440/355
AMPS	8.06	12.49	5.7	6.61	9.78
EER	11.4	10.75	10.75	9.70	9.60
FREON CHARGE OZ.	25	26.5	26.5	37.0	37.0
CHASSIS DIMENSIONS	996.4X462.2X427	996.4X462.2X427	996.4X462.2X427	996.4X462.2X427	996.4X462.2X427
SHIPPING BOX DIMENSION	1080X570X500	1080X570X500	1080X570X500	1080X570X500	1080X570X500
WEIGHT	134	138	138	149	154
LOADING	160/72	160/72	160/72	160/72	160/72
HEATING CAPACITY STM	18700/16500	18700/16500	18700/16500	2000/19400	2000/19400