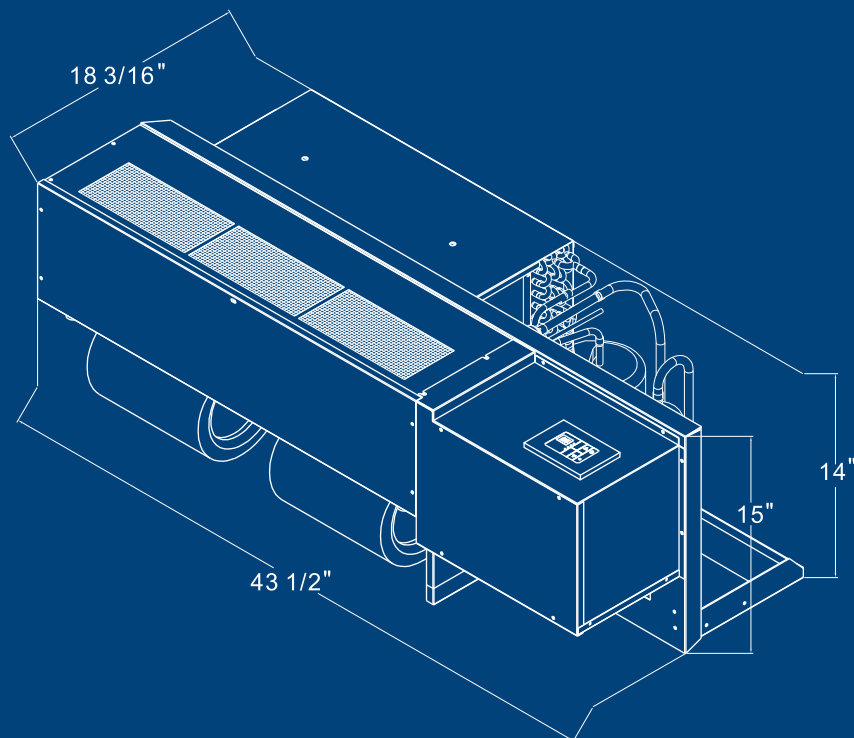


MODEL

SSEA



AS AN EXACT CHASSIS REPLACEMENT
FOR THE:
REMINGTON, SINGER AND MCQUAY EA,
ES AND RS SERIES.
ISLANDAIRE EZ SERIES ED
ICECAP RSEA



SIMON-AIRE INC.

SSEA



410A
REFRIGERANT



Line Voltage	Maximum Amperage	Wall Socket Configuration	Receptacle Number	Electrical Heat Options
115	16		NEMA5-20R	3.0-3.5
208/230	12		NEMA6-15R	3.0-3.5
208/230	16		NEMA6-20R	3.0-3.5
208/230	24		NEMA6-30R	3.0-3.5
270	16		NEMA7-20R	3.0-3.5

- 265V/277V OPTIONAL-CONTACT FACTORY
- ELECTRIC HEAT OPTION AVAILABLE-CONTACT FACTORY

MODEL	SSEA509H-TP	SSEA513H-TP	SSEA813H-TP	SSEA816H-TP	SSEA818H-TP
FAN SPEED	HIGH/LOW	HIGH/LOW	HIGH/LOW	HIGH/LOW	HIGH/LOW
COOLING CAPACITY	9500	12800	12800	14000	16900
HEATING CAPACITY HOT WATER	16500/15100	16500/15100	16500/15100	19400/18100	19400/18100
VOLTAGE	115V	115V	208V	208V	208V
WATTS	968	1166	1166	1452	1903
CFM	400/330	400/330	400/330	435/340	440/355
AMPS	8.42	10.22	5.6	7.93	9.23
EER	10.66	10.75	10.75	10.1	9.72
R410 CHARGE OZ.	26.5	27.5	27.5	31.7	38.8
CHASSIS DIMENSIONS	1105X462X378.5	1105X462X378.5	1105X462X378.5	1105X462X378.5	1105X462X378.5
SHIPPING BOX DIMENSION	1245X585X470	1245X585X470	1245X585X470	1245X585X470	1245X585X470
WEIGHT	130	136	134	142	148
LOADING	148/66	148/66	148/66	148/66	148/66
HEATING CAPACITY STM	18700/16500	18700/16500	18700/16500	20000/19400	20000/19400

• DUE TO OUR ONGOING DEVELOPMENT AND REFINEMENT PROCESSES THE SPECIFICATIONS, CAPACITIES AND COMPONENTS ARE SUBJECT TO CHANGE WITHOUT NOTICE.