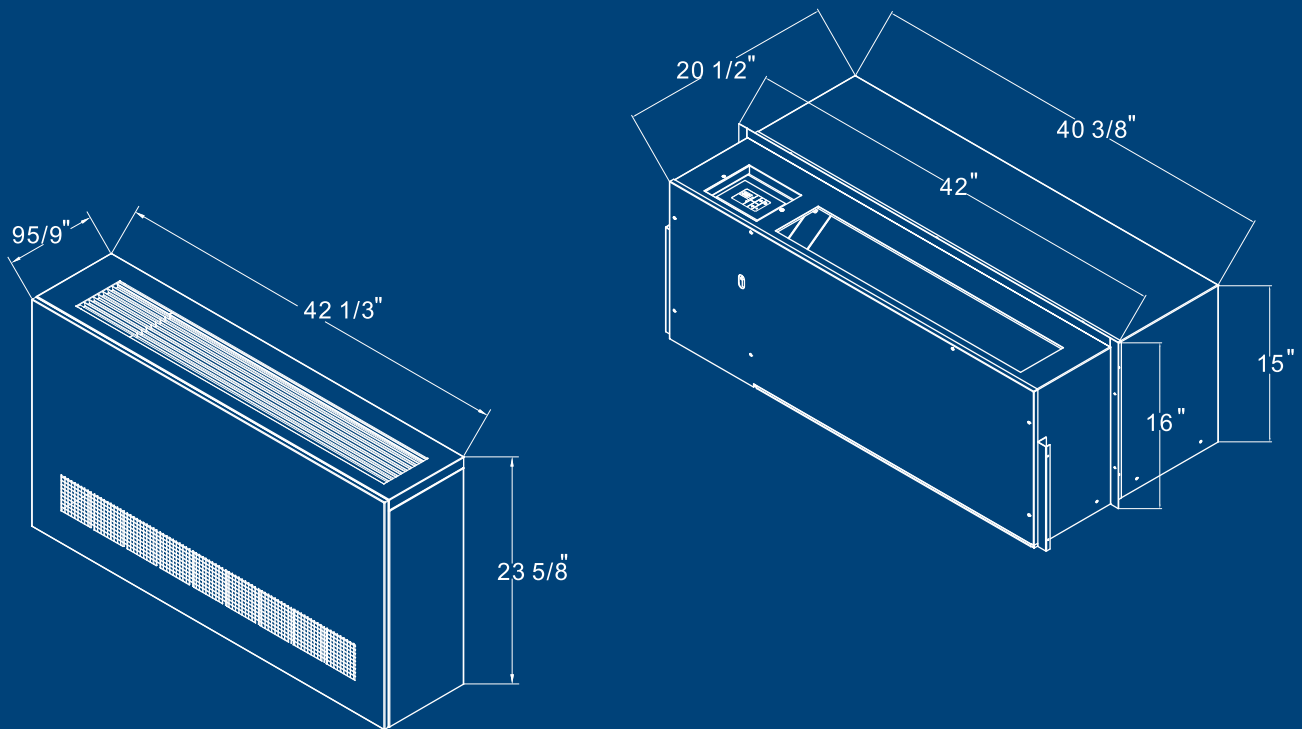




SSJK

MODEL

AS AN EXACT CHASSIS REPLACEMENT
FOR THE:
SLANT-FIN JK
ICECAP RSCT-JK
ISLANDAIRE EZ SERIES E2JK



JK Room Enclosure



Line Voltage	Maximum Amperage	Wall Socket Configuration	Receptacle Number	Electrical Heat Options
115	16	⊕⊕	NEMA5-20R	3.0-3.5
208/230	12	⊖⊖	NEMA6-15R	3.0-3.5
208/230	16	⊕⊕	NEMA6-20R	3.0-3.5
208/230	24	⊖⊖	NEMA6-30R	3.0-3.5
270	16	⊖⊖	NEMA7-20R	3.0-3.5

- 265V/277V OPTIONAL-CONTACT FACTORY
- ELECTRIC HEAT OPTION AVAILABLE-CONTACT FACTORY

MODEL	SSJK509H-TP	SSJK513H-TP	SSJK813H-TP	SSJK816H-TP	SSJK818H-TP
FAN SPEED	HIGH/LOW	HIGH/LOW	HIGH/LOW	HIGH/LOW	HIGH/LOW
COOLING CAPACITY	9500	12800	12800	14000	16900
HEATING CAPACITY HOT WATER	16500/15100	16500/15100	16500/15100	19400/18100	19400/18100
VOLTAGE	115V	115V	208V	208V	208V
WATTS	968	1166	1166	1452	1903
CFM	400/330	400/330	400/330	435/340	440/355
AMPS	8.42	10.22	5.6	7.93	9.23
EER	10.66	10.75	10.75	10.1	9.72
R410 CHARGE OZ.	26.5	27.5	27.5	31.7	38.8
CHASSIS DIMENSIONS	1067X521X404.5	1067X521X404.5	1067X521X404.5	1067X521X404.5	1067X521X404.5
SHIPPING BOX DIMENSION	1160X657X510	1160X657X510	1160X657X510	1160X657X510	1160X657X510
WEIGHT	134	138	138	149	154
LOADING	144/64	144/64	144/64	144/64	144/64
HEATING CAPACITY STM	18700/16500	18700/16500	18700/16500	20000/19400	20000/19400

• DUE TO OUR ONGOING DEVELOPMENT AND REFINEMENT PROCESSES THE SPECIFICATIONS, CAPACITIES AND COMPONENTS ARE SUBJECT TO CHANGE WITHOUT NOTICE.