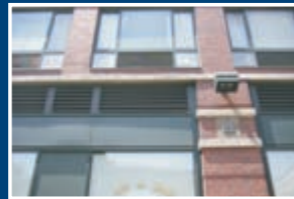
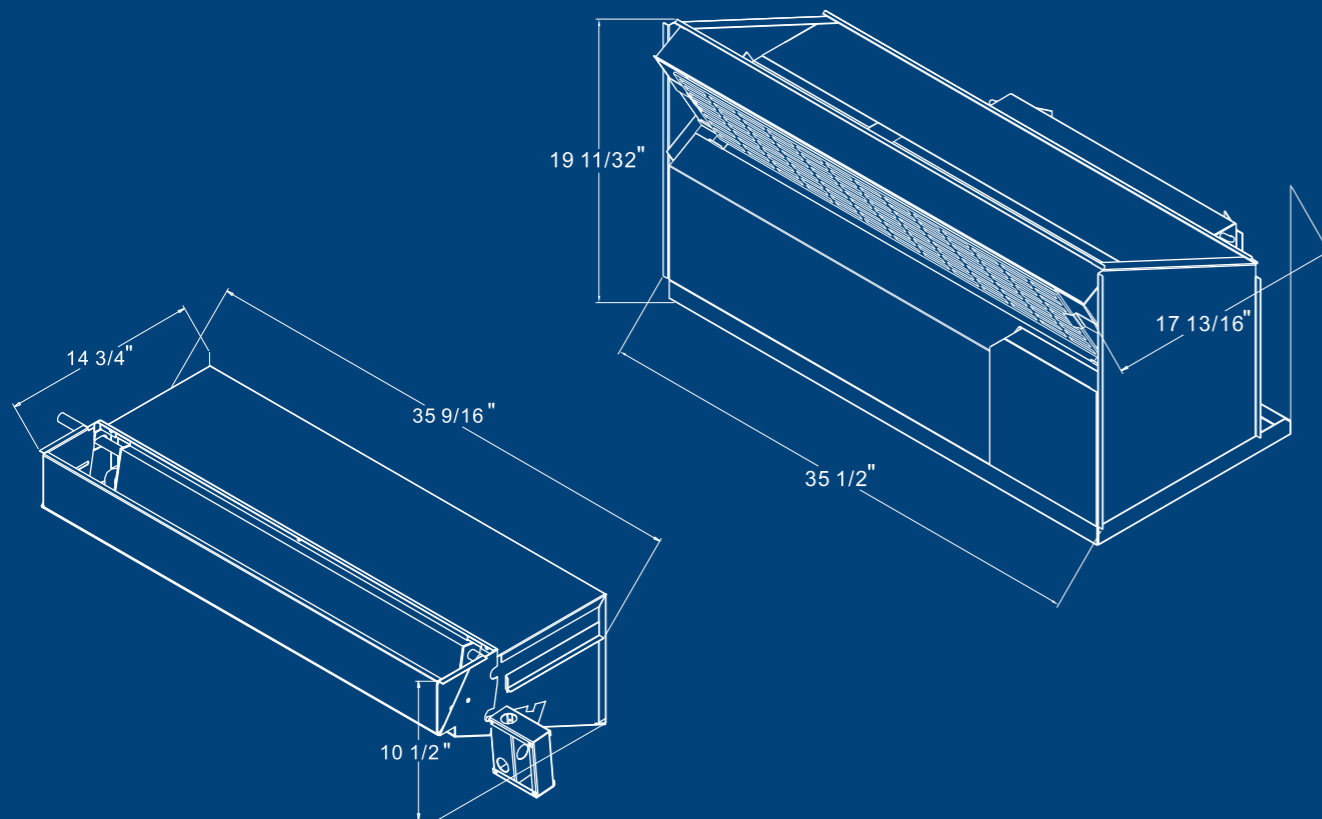


MODEL
SSKK



AS AN EXACT REPLACEMENT
FOR THE
MCQUAY K
REMINGTON K
SINGER K
ISLANDAIRE KF
RETROAIRE RC 60



Line Voltage	Maximum Amparage	Wall Socket Configuration	Receptacle Number	Electrical Heat Options
115	16	⊕	NEMA5-20R	3.0-3.5
208/230	12	⊖	NEMA6-15R	3.0-3.5
208/230	16	⊕	NEMA6-20R	3.0-3.5
208/230	24	⊖	NEMA6-30R	3.0-3.5
270	16	⊖	NEMA7-20R	3.0-3.5

- 265V/277V OPTIONAL-CONTACT FACTORY
- ELECTRIC HEAT OPTION AVAILABLE-CONTACT FACTORY

MODEL	SSKK509H-TP	SSKK513H-TP	SSKK813H-TP	SSKK816H-TP
FAN SPEED	HIGH/LOW	HIGH/LOW	HIGH/LOW	HIGH/LOW
COOLING CAPACITY	9500	12800	12800	14000
HEATING CAPACITY HOT WATER	16500/15100	16500/15100	16500/15100	19400/18100
VOLTAGE	115V	115V	208V	208V
WATTS	968	1166	1166	1452
CFM	400/330	400/330	400/330	435/340
AMPS	8.42	10.22	5.6	7.93
EER	10.66	10.75	10.75	10.1
R410 CHARGE OZ.	26.5	27.5	27.5	31.7
CHASSIS DIMENSIONS	902X4535X491	902X4535X491	902X4535X491	902X4535X491
SHIPPING BOX DIMENSION	1070X530X580	1070X530X580	1070X530X580	1070X530X580
WEIGHT	110	119	122	137
LOADING	123	123	123	123
HEATING CAPACITY STM	18700/16500	18700/16500	20000/19400	20000/19400

• DUE TO OUR ONGOING DEVELOPMENT AND REFINEMENT PROCESSES THE SPECIFICATIONS, CAPACITIES AND COMPONENTS ARE SUBJECT TO CHANGE WITHOUT NOTICE.