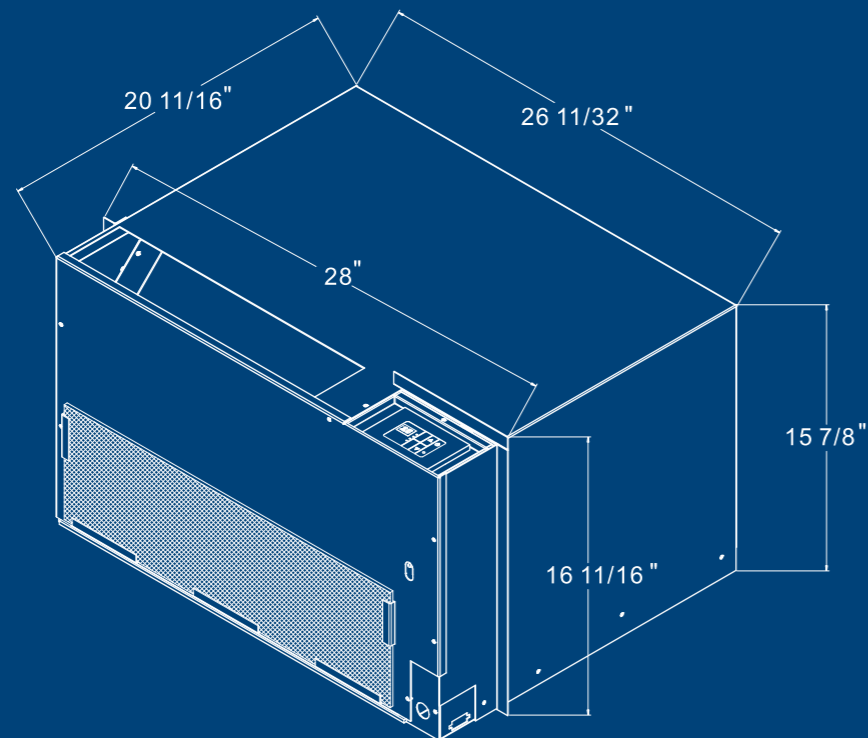


MODEL
SSMX



AS AN EXACT REPLACEMENT
FOR THE:
FEDDERS MAXIZONE
ISLANDAIRE EZ SERIES MX



Line Voltage	Maximum Amperage	Wall Socket Configuration	Receptacle Number	Electrical Heat Options
115	16		NEMA5-20R	3.0-3.5
208/230	12		NEMA6-15R	3.0-3.5
208/230	16		NEMA6-20R	3.0-3.5
208/230	24		NEMA6-30R	3.0-3.5
270	16		NEMA7-20R	3.0-3.5

- 265V/277V OPTIONAL-CONTACT FACTORY
- ELECTRIC HEAT OPTION AVAILABLE-CONTACT FACTORY

MODEL	SSMX509H-TP	SSMX513H-TP	SSMX813H-TP	SSMX815H-TP
FAN SPEED	HIGH/LOW	HIGH/LOW	HIGH/LOW	HIGH/LOW
COOLING CAPACITY	9500	12800	12800	15000
HEATING CAPACITY HOT WATER	16500/15100	16500/15100	16500/15100	19400/18100
VOLTAGE	115V	115V	208V	208V
WATTS	968	1166	1166	1452
CFM	400/330	400/330	400/330	435/340
AMPS	8.42	10.22	5.6	7.93
EER	10.66	10.75	10.75	10.1
R410 CHARGE OZ.	26.5	27.5	27.5	31.7
CHASSIS DIMENSIONS	673X525X404	673X525X404	673X525X404	673X525X404
SHIPPING BOX DIMENSION	825X660X513	825X660X513	825X660X513	825X660X513
WEIGHT	137	143	143	152
LOADING	200/100	200/100	200/100	200/100
HEATING CAPACITY STM	18700/16500	18700/16500	18700/16500	20000/19400

• DUE TO OUR ONGOING DEVELOPMENT AND REFINEMENT PROCESSES THE SPECIFICATIONS, CAPACITIES AND COMPONENTS ARE SUBJECT TO CHANGE WITHOUT NOTICE.