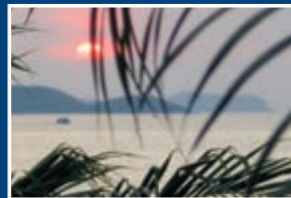
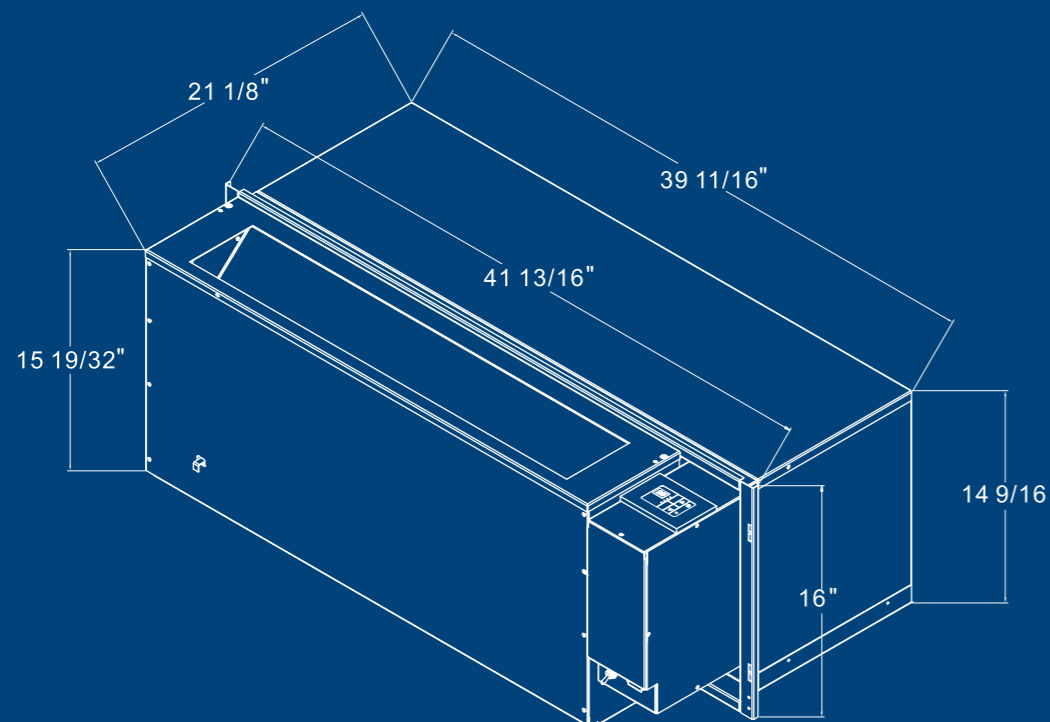


MODEL  
**SSNS**



FOR NEW CONSTRUCTION  
AND AS AN EXACT REPLACEMENT  
FOR THE 42" MCQUAY PDNS  
AND THE CLIMATE MASTER  
PTH SERIES UNIT



| Line Voltage | Maximum Amperage | Wall Socket Configuration | Receptacle Number | Electrical Heat Options |
|--------------|------------------|---------------------------|-------------------|-------------------------|
| 115          | 16               |                           | NEMA5-20R         | 3.0-3.5                 |
| 208/230      | 12               |                           | NEMA6-15R         | 3.0-3.5                 |
| 208/230      | 16               |                           | NEMA6-20R         | 3.0-3.5                 |
| 208/230      | 24               |                           | NEMA6-30R         | 3.0-3.5                 |
| 270          | 16               |                           | NEMA7-20R         | 3.0-3.5                 |

- 265V/277V OPTIONAL-CONTACT FACTORY
- ELECTRIC HEAT OPTION AVAILABLE-CONTACT FACTORY

| MODEL                      | SSNS509H-TP  | SSNS513H-TP  | SSNS813H-TP  | SSNS816H-TP  | SSNS818H-TP  |
|----------------------------|--------------|--------------|--------------|--------------|--------------|
| FAN SPEED                  | HIGH/LOW     | HIGH/LOW     | HIGH/LOW     | HIGH/LOW     | HIGH/LOW     |
| COOLING CAPACITY           | 9500         | 12800        | 12800        | 14000        | 16900        |
| HEATING CAPACITY HOT WATER | 16500/15100  | 16500/15100  | 16500/15100  | 19400/18100  | 19400/18100  |
| VOLTAGE                    | 115V         | 115V         | 208V         | 208V         | 208V         |
| WATTS                      | 968          | 1166         | 1166         | 1452         | 1903         |
| CFM                        | 400/330      | 400/330      | 400/330      | 435/340      | 440/355      |
| AMPS                       | 8.42         | 10.22        | 5.6          | 7.93         | 9.23         |
| EER                        | 10.66        | 10.75        | 10.75        | 10.1         | 9.72         |
| R410 CHARGE OZ.            | 26.5         | 27.5         | 27.5         | 31.7         | 38.8         |
| CHASSIS DIMENSIONS         | 1062X537X404 | 1062X537X404 | 1062X537X404 | 1062X537X404 | 1062X537X404 |
| SHIPPING BOX DIMENSION     | 1155X655X498 | 1155X655X498 | 1155X655X498 | 1205X560X440 | 1205X560X440 |
| WEIGHT                     | 143          | 146          | 146          | 153          | 163          |
| LOADING                    | 144/64       | 144/64       | 144/64       | 144/64       | 144/64       |
| HEATING CAPACITY STM       | 18700/16500  | 18700/16500  | 18700/16500  | 20000/19400  | 20000/19400  |

• DUE TO OUR ONGOING DEVELOPMENT AND REFINEMENT PROCESSES THE SPECIFICATIONS, CAPACITIES AND COMPONENTS ARE SUBJECT TO CHANGE WITHOUT NOTICE.