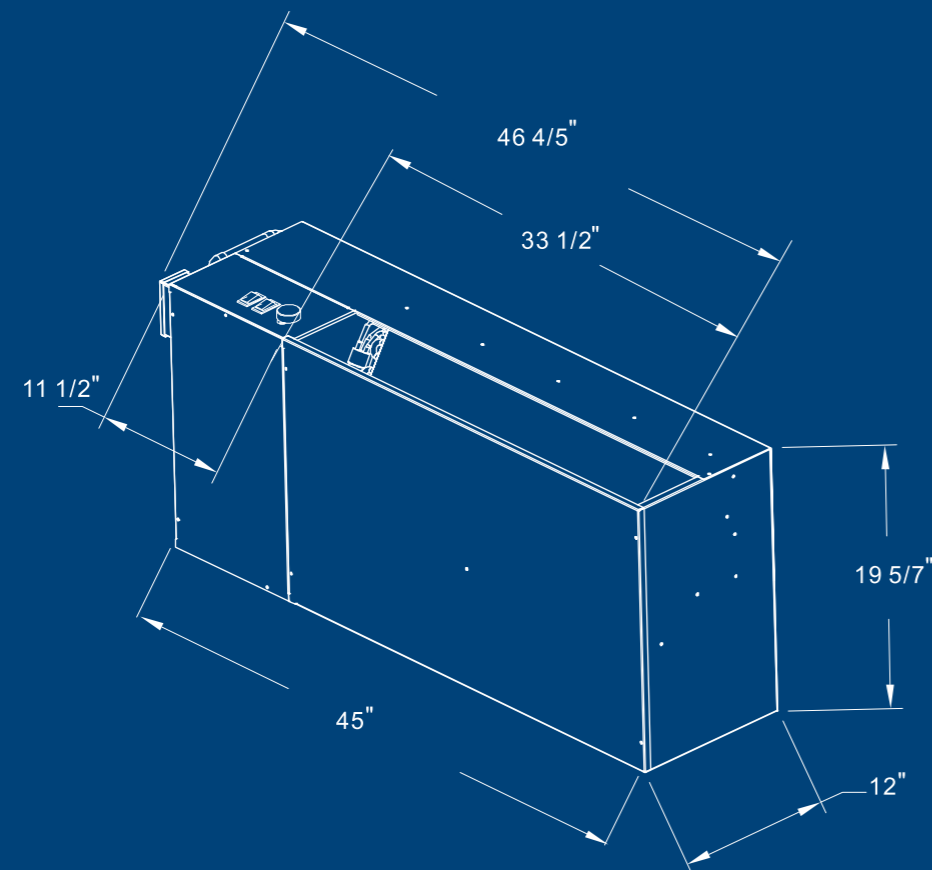


MODEL  
**SSWSFC**



WATER SOURCE HEAT PUMP  
NEW CONSTRUCTION AND AS AN EXACT  
REPLACEMENT FOR THE  
FRIEDRICH CLIMATE MASTER 800 SERIES



- 265V/277V OPTIONAL-CONTACT FACTORY

MODEL	SSWSFC812	SSWSFC818
FAN SPEED	HIGH/LOW	HIGH/LOW
COOLING CAPACITY	12800	17300
HEATING CAPACITY	14000	20500
VOLTAGE	208V	208V
WATTS	780	1200
CFM	435/400	580/480
AMPS(C/H)	3.30	6.02
EER	15.80	15.20
COP	4.80	4.80
GPM	3.00	5.00
FREON CHARGE OZ.	30	35.6
CHASSIS DIMENSIONS	1087X305X500	1189X305X500
SHIPPING BOX DIMENSION	1207X427X553	1263X382X621
WEIGHT	138	176
LOADING	216	216

• DUE TO OUR ONGOING DEVELOPMENT AND REFINEMENT PROCESSES THE SPECIFICATIONS, CAPACITIES AND COMPONENTS ARE SUBJECT TO CHANGE WITHOUT NOTICE.