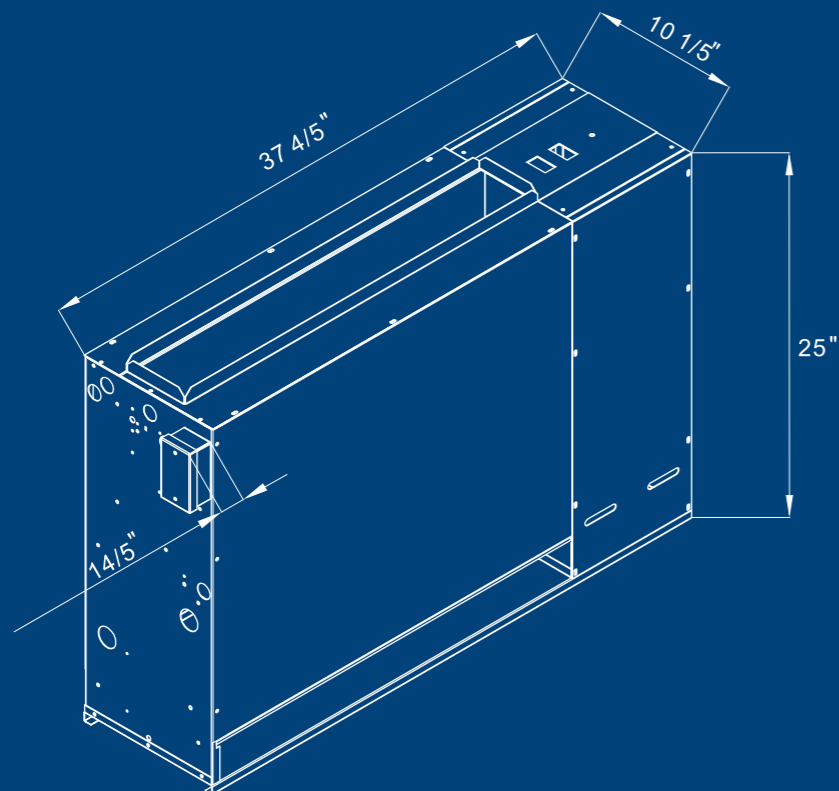


SSWSHP

MODEL

WATER SOURCE HEAT PUMP



- 265V/277V OPTIONAL-CONTACT FACTORY

MODEL	SSWSHP509	SSWSHP512	SSWSHP812	SSWSHP818
FAN SPEED	HIGH/LOW	HIGH/LOW	HIGH/LOW	HIGH/LOW
COOLING CAPACITY	10500	12800	12800	17300
HEATING CAPACITY HOT WATER	11000	14000	14000	20500
VOLTAGE	115V	115V	208V	208V
WATTS	640	780	780	1200
CFM	400/330	400/330	400/330	400/330
AMPS	8.42	4.7	10.22	5.6
COP	4.8	4.8	4.8	4.8
EER	16.4	15.8	15.8	15.2
FREON CHARGE OZ.	22.2	24.3	22.9	35.6
CHASSIS DIMENSIONS	10006X638X259	10006X638X259	10006X638X259	1134X640X301
SHIPPING BOX DIMENSION	1238X727X380	1238X727X380	1238X727X380	1360X790X414
WEIGHT	183	183	183	220
LOADING	182/90	182/90	182/90	182/90

• DUE TO OUR ONGOING DEVELOPMENT AND REFINEMENT PROCESSES THE SPECIFICATIONS, CAPACITIES AND COMPONENTS ARE SUBJECT TO CHANGE WITHOUT NOTICE.