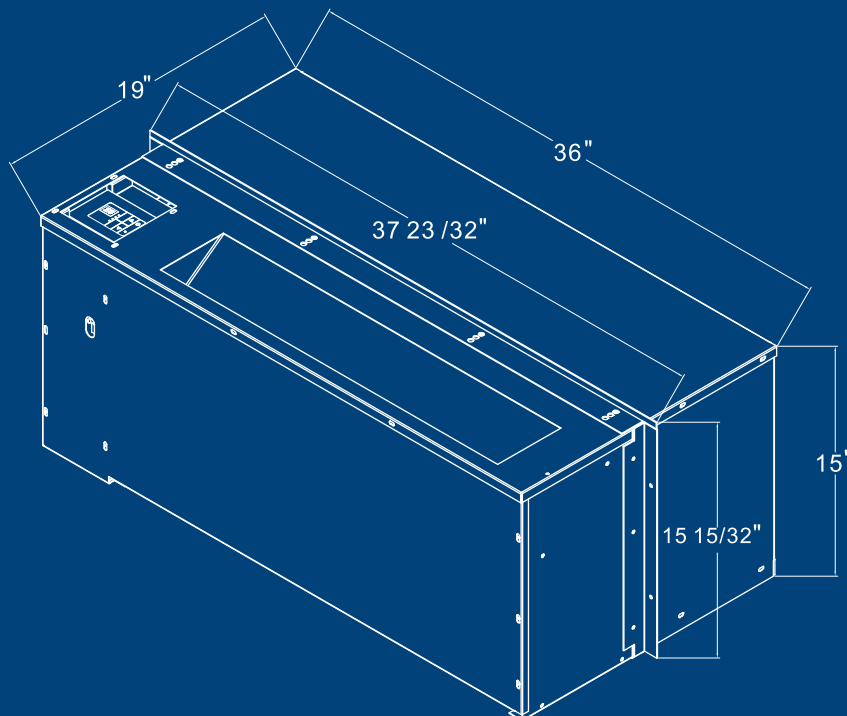


MODEL

SSZ



AS AN EXACT CHASSIS REPLACEMENT
FOR THE:
EMBASSY WEATHER TWIN
KAPSIS COOL HEAT
TPI RA-MATIC
ZONEAIRE RM & SC SERIES
ICECAP RSZ
ISLANDAIRE EZ SERIES RM





Line Voltage	Maximum Amperage	Wall Socket Configuration	Receptacle Number	Electrical Heat Options
115	16		NEMA5-20R	3.0-3.5
208/230	12		NEMA6-15R	3.0-3.5
208/230	16		NEMA6-20R	3.0-3.5
208/230	24		NEMA6-30R	3.0-3.5
270	16		NEMA7-20R	3.0-3.5

- 265V/277V OPTIONAL-CONTACT FACTORY
- ELECTRIC HEAT OPTION AVAILABLE-CONTACT FACTORY

MODEL	SSZ509H-TP	SSZ513H-TP	SSZ813H-TP	SSZ816H-TP	SSZ818H-TP
FAN SPEED	HIGH/LOW	HIGH/LOW	HIGH/LOW	HIGH/LOW	HIGH/LOW
COOLING CAPACITY	9500	12800	12800	14000	16900
HEATING CAPACITY HOT WATER	16500/15100	16500/15100	16500/15100	19400/18100	19400/18100
VOLTAGE	115V	115V	208V	208V	208V
WATTS	830	1190	1190	1420	1750
CFM	400/330	400/330	400/330	435/340	440/355
AMPS	8.06	12.49	5.7	6.61	9.78
EER	11.4	10.75	10.75	9.70	9.60
FREON CHARGE OZ.	25	26.5	26.5	31.7	38.8
CHASSIS DIMENSIONS	913X482X379	913X482X379	913X482X379	913X482X379	913X482X379
SHIPPING BOX DIMENSION	1035X605X468	1035X605X468	1035X605X468	1035X605X468	1035X605X468
WEIGHT	134	138	138	149	154
LOADING	160/72	160/72	160/72	160/72	160/72
HEATING CAPACITY STM	18700/16500	18700/16500	18700/16500	20000/19400	20000/19400

• DUE TO OUR ONGOING DEVELOPMENT AND REFINEMENT PROCESSES THE SPECIFICATIONS, CAPACITIES AND COMPONENTS ARE SUBJECT TO CHANGE WITHOUT NOTICE.